

WOLF **FORKLIFT**



FORKLIFT USAGE SCENARIOS



COMMITTED TO EFFICIENCY

Introducing the latest range of WOLF forklifts, the exclusive W-Series sets a new standard for versatility, productivity and durability. Armed with input from the people who run them, WOLF Research and Development team sets out a mission to design the ultimate forklift that combines both form and functionality; and housed it into one power-packed machine.

Our engineers have invested time in selecting the best of components and parts; while performing numerous tests to ensure that the new and improved series of forklifts achieve optimal performance levels and maximum efficiency.

FORKLIFT

FUEL FORKLIFT



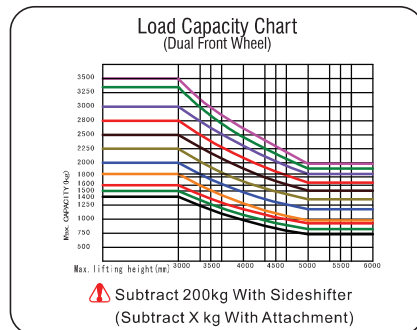
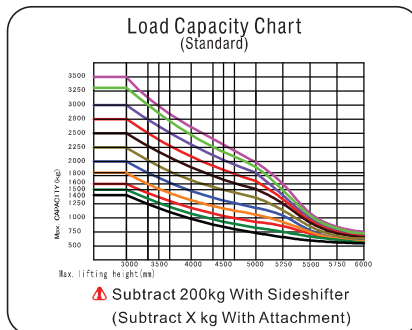
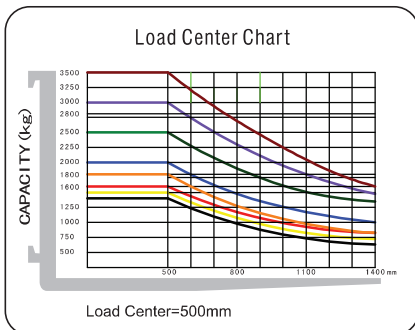
Specification			WF150	WF200	WF250	
Characteristics	Fuel type			Diesel	Diesel	Diesel
	Load capacity		kg	1500	2000	2500
	Load center		mm	500	500	500
	Lift height		mm	3000	3000	3000
	Full free lift height		mm	135	100	100
	Fork dimension		mm	1070×122×40	1070×122×40	1070×122×40
	Mast tilting angle	Front/Rear	Deg.	6/12	6/12	6/12
	Min. turning radius		mm	2280	2190	2240
	Groud clearance		mm	120	120	120
	Overhead guard height		mm	2070	2160	2160
	Front overhang		mm	425	450	450
Performance	Max. travel speed	Full load	km/h	16	19	19
	Max. lift speed	Full load	mm/s	550	500	500
	Max. traction power	Full load	KN	16	17	18
	Max. gradeability		%	20	20	20
Dimensions	Total length	With fork	mm	3195	3600	3650
	Total length	Without fork	mm	2275	2530	2580
	Total width		mm	1070	1160	1160
	Mast extended height		mm	4030	4220	4220
	Mast lowered height		mm	1995	2060	2060
Chassis	Tyres	Front		6.50-10-10PR	7.00-12-12PR	7.00-12-12PR
		Rear		5.00-8-8PR	6.00-9-10PR	6.00-9-10PR
	Wheelbase		mm	1410	1600	1600
	Tread	Front/Rear	mm	890/920	970/970	970/970
	Service weight		Kg	2890	3530	3880
Drive	Battery		V/Ah	12/100	12/80	12/80
	Motor	Model		Xinchai 485	Xinchai 490	Xinchai 490
		Power	kw/r.p.m	32	40	40
	Transmission			Hydraulic/Mechanical	Hydraulic/Mechanical	Hydraulic/Mechanical
	Operating pressure		Mpa	18.5	18.5	18.5

Specification			WF300	WF350	WF400	WF500	
Characteristics	Fuel type		Diesel	Diesel	Diesel	Diesel	
	Load capacity		kg	3000	3500	4000	5000
	Load center		mm	500	500	500	600
	Lift height		mm	3000	3000	3000	3000
	Full free lift height		mm	100	100	100	135
	Fork dimension		mm	1070×125×45	1070×125×50	1070×150×45	1220×150×55
	Mast tilting angle	Front/Rear	Deg.	6/12	6/12	6/12	6/12
	Min. turning radius		mm	2400	2450	2620	3050
	Groud clearance		mm	135	135	135	160
	Overhead guard height		mm	2165	2165	2160	2350
	Front overhang		mm	490	490	495	560
Performance	Max. travel speed	Full load	km/h	20	20	20	19
	Max. lift speed	Full load	mm/s	480	480	330	400
	Max. traction power	Full load	KN	20	22	18	22
	Max. gradeability		%	20	20	20	20
Dimensions	Total length	With fork	mm	3770	3770	4105	4530
	Total length	Without fork	mm	2700	2700	3035	3310
	Total width		mm	1225	1225	1225	1480
	Mast extended height		mm	4265	4265	4250	4270
	Mast lowered height		mm	2060	2060	2185	2240
Chassis	Tyres	Front		28x9-15-12PR	28x9-15-12PR	28 X 9 - 15PR	300-15-18PR
		Rear		6.50-10-10PR	6.50-10-10PR	6.50-10-10PR	7.00-12-12PR
	Wheelbase		mm	1700	1700	1900	2200
	Tread	Front/Rear	mm	1000/970	1000/970	1000/970	1180/1190
	Service weight		Kg	4350	4780	5000	6700
Drive	Battery		V/Ah	12/80	12/80	12/80	(12/80)×2
	Motor	Model		Xinchai 490	Xinchai 490	Xinchai 495	XINCHAI 4D35
		Power	kw/r.p.m	40	40	42	60
	Transmission			Hydraulic/Mechanical	Hydraulic/Mechanical	Hydraulic/Mechanical	Hydraulic/Mechanical
	Operating pressure		Mpa	18.5	18.5	18.5	20

Specification			WF600	WF700	WF1000	
Characteristics	Fuel type			Diesel	Diesel	Diesel
	Load capacity		kg	6000	7000	10000
	Load center		mm	600	600	600
	Lift height		mm	3000	3000	3000
	Full free lift height		mm	210	220	220
	Fork dimension		mm	1220×150×60	1220×150×65	1220×175×80
	Mast tilting angle	Front/Rear	Deg.	6/12	6/12	6/12
	Min. turning radius		mm	3320	3380	3950
	Groud clearance		mm	200	200	250
	Overhead guard height		mm	2460	2460	2600
	Front overhang		mm	615	625	710
Performance	Max. travel speed	Full load	km/h	26	26	25
	Max. lift speed	Full load	mm/s	400	400	310
	Max. traction power	Full load	KN	51.4	51.4	57
	Max. gradeability		%	20	20	20
Dimensions	Total length	With fork	mm	4770	4770	6700
	Total length	Without fork	mm	3550	3550	5480
	Total width		mm	2235	2235	2235
	Mast extended height		mm	4380	4380	4297
	Mast lowered height		mm	2500	2500	2850
Chassis	Tyres	Front		8.25-15-14PR	8.25-15-14PR	9.00-20-14PR
		Rear		8.25-15-14PR	8.25-15-14PR	9.00-20-14PR
	Wheelbase		mm	2250	2250	2800
	Tread	Front/Rear	mm	1470/1700	1470/1700	1600/1700
	Service weight		Kg	8640	9340	12180
Drive	Battery		V/Ah	(12/80)×2	(12/80)×2	(12/100)×2
	Motor	Model		XICHAI 4DF3	XICHAI 4DF3	XICHAI 4DF3
		Power	kw/r.p.m	85	85	85
	Transmission			Hydraulic/Mechanical	Hydraulic/Mechanical	Hydraulic/Mechanical
	Operating pressure		Mpa	20	20	20

FORKLIFT

ELECTRIC FORKLIFT TRUCK



ADVANTAGES

SAFETY AND STABILITY

- Most popular H type driving axle, optimized structure layout and improved efficiency.
- High power and large torque AC driving motor, large diameter body to export larger torque, heat radiating groove reserved for better heat exchange in case of extra-long-time use.
- Multifunctional display with using time, fault code, battery status, forklift running information.
- AC driving motor without brush, free of maintenance; low electric current, silent driving.
- Low gravity center thanks to relocated battery, greatly reinforcing steering stability.
- Steering circuit preference, to ensure safety in every turn when steering and lifting in the same time, and to save energy.
- Dual-controller design, one driving controller, the other control steering and lifting.
- Metal housing for better protection.
- Full LED lights.



ERGONOMICS

- Optimized structure creates a large and comfortable operating room.
- Adjustable steering wheel column, the driver can adjust the position according to his need.
- Integrated light switch and steering wheel.
- Clear and wide view mast with good visibility.
- Intelligent mast collapse buffering.

SERVICE ABILITY

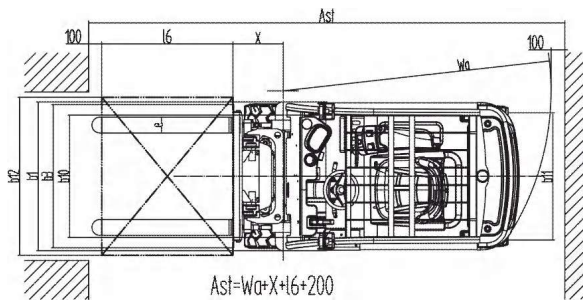
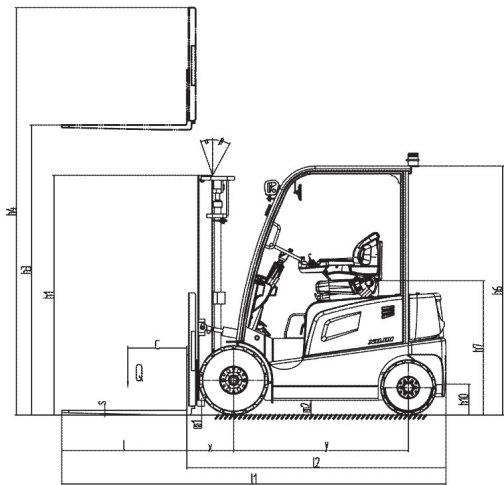
- Easy maintained controller and steering potentiometer.
- Brushless lifting and driving motor, reduced cost of ownership; external encoder, easy to replace and service.
- Over discharge protecting system: while the battery discharges less than 20%, the instrument warning light will turn on.
- Braking oil cup installed on the instrument panel, convenient to check and add braking oil.

OPTIONAL

- Side-way battery box
- Electromagnetic valve
- Shock-absorbing chair, with power disconnect function
- Dual-front-wheels
- Adjustable lifting motor speed system
- Cold storage application
- Lithium battery

FORKLIFT

ELECTRIC FORKLIFT TRUCK



Model		WF20E(Semi-AC type)	WF20E(Full AC type)	WF25E(Semi-AC type)	WF25E(Full AC type)
Power		electric	electric	electric	electric
Operation type		seated	seated	seated	seated
Capacity/rated load	Q(Kg)	2000	2000	2500	2500
Load centre distance	c(mm)	500	500	500	500
Lift height	h ₃ (mm)	3000-6000	3000-6000	3000-6000	3000-6000
Load distance, centre of drive axle to fork	x(mm)	395	395	445	445
Wheelbase	y(mm)	1480	1480	1480	1480
Service weight (with battery)	kg	3315	3500	4050	4150
Axle loading, laden front/rear	kg	4715/600	4815/685	5807/743	5857/793
Axle loading, unladen front/rear	kg	1545/1770	1635/1865	1829/2221	1859/2246
Tyre type		pneumatic/solid	pneumatic/solid	pneumatic/solid	pneumatic/solid
Tyre size, front	mm	6.50-10	6.50-10	23×9-10	23×9-10
Tyre size, rear	mm	5.00-8	5.00-8	18×7-8	18×7-8

Model		WF20E(Semi-AC type)	WF20E(Full AC type)	WF25E(Semi-AC type)	WF25E(Full AC type)
Wheels, number front rear (x=driven wheels)		2x/2	2x/2	2x/2	2x/2
Tread,front	b ₁₀ (mm)	930	930	970	970
Tread,rear	b ₁₁ (mm)	920	920	970	970
Tilt of mast/fork carriage forward/backward	Grad	5/10	5/10	5/10	5/10
Height, mast lowered	h ₁ (mm)	2015-2610	2015-2610	2050	2050
Height, mast extended	h ₄ (mm)	4050-7050	4050-7050	4050-7050	4050-7050
Height of overhead guard (cabin)	h ₆ (mm)	2100	2100	2100	2100
Seat height/stand height	h ₇ (mm)	1040	1040	1040	1040
Height of traction bolt	h ₁₀ (mm)	260	260	260	260
Overall length	l ₁ (mm)	3270	3270	3310	3310
Length to face of forks	l ₂ (mm)	2200	2200	2240	2240
Overall width	b ₁ (mm)	1130	1130	1200	1200
Fork dimensions	s/e/l(mm)	40/120/1070	40/120/1070	40/120/1070	40/120/1070
Fork carriage DIN 15173, class/type A,B		2A	2A	2A	2A
Fork-carriage width	b ₃ (mm)	1088	1088	1160	1160
Ground clearance, laden, below mast	m ₁ (mm)	110	110	110	110
Ground clearance, centre of wheelbase	m ₂ (mm)	115	115	110	110
Aisle width for pallets 1000×1200 crossways	A _{st} (mm)	3600	3600	3700	3700
Aisle width for pallets 800×1200 lengthways	A _{st} (mm)	3800	3800	3900	3900
Turning radius	W _a (mm)	2080	2080	2180	2180
Travel speed, laden/unladen	Km/h	12/13	12/13	12/13	12/13
Lift speed, laden/unladen	mm/s	0.24/0.36	0.28/0.32	0.24/0.36	0.26/0.3
Lowering speed, laden/unladen	mm/s	0.36/0.42	0.36/0.42	0.36/0.42	0.36/0.42
Max. gradeability, laden/unladen	%	15/20	15/20	13/14	13/14
Battery voltage, nominal capacity K5	V/Ah	48/450(500.560.630)	48/500(560.630)	48/500(560.630)	48/560(630)
Battery weight	Kg	680	760	760/820/1055	820/1055
Driving control system		AC	AC	AC	AC

OPTION:



- FB20R Lithium battery 350AH (Charger 48V/100A)
- FB25R Lithium battery 450AH (Charger 48V/200A)

REMARK:

- The data is based on the lifting height 3000mm; Lifting height from 3000mm to 6000mm are available;
- Electric controller selection (1)standard: Enpower (2)Option: Curtis, Inmotion, ZAPI.

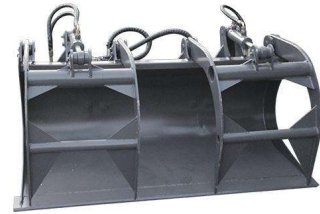
ATTACHMENTS



4in1 Bucket



Dustpan Bucket



Grasp Fork



Backhoe



Bale Spear



Fork



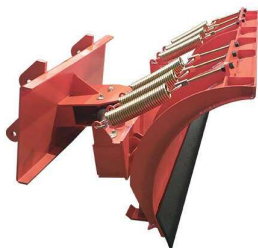
Lifting Arm



Log clamp-H type



Mulcher



Snow Blade



Snow Bucket



V Blade

ATTACHMENTS



Spreader



Concrete Mixing Bucket



Bag Filler Bucket



Screw Feed Pusher



Backhoe



Brush Cutter



Rubber Scraper



Silage Fork



Big Bag Lifter



Rock Bucket



Spreader

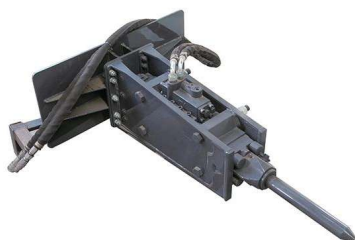


Auger

ATTACHMENTS



Sweeper Gutter Brush



Breaker



Side Shift Pallet Fork



Angle Broom



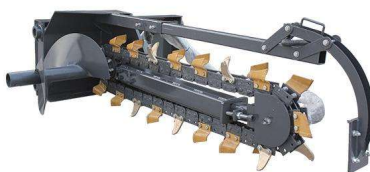
Square Bale Clamp



Hay Bale Grapple



Feed Dispenser



Trencher



Snow Blower



Timber Grab



Land Plane



Snow Bucket Wings

TYRE



825-16



12-16.5



31x15.5-15



31x15.5-15 Grassland



33x15.5-16.5 Grassland



33x15.5-16.5



15.5 / 60-18



20.5 / 70-16



20.5 / 70-16 Agriculture



16 / 70-24



16 / 70R24



17.5-25 L4